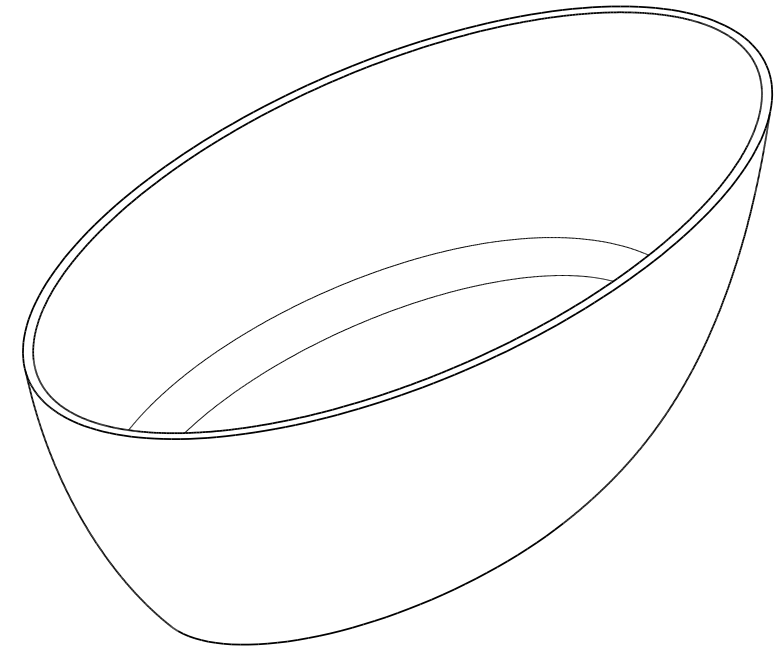
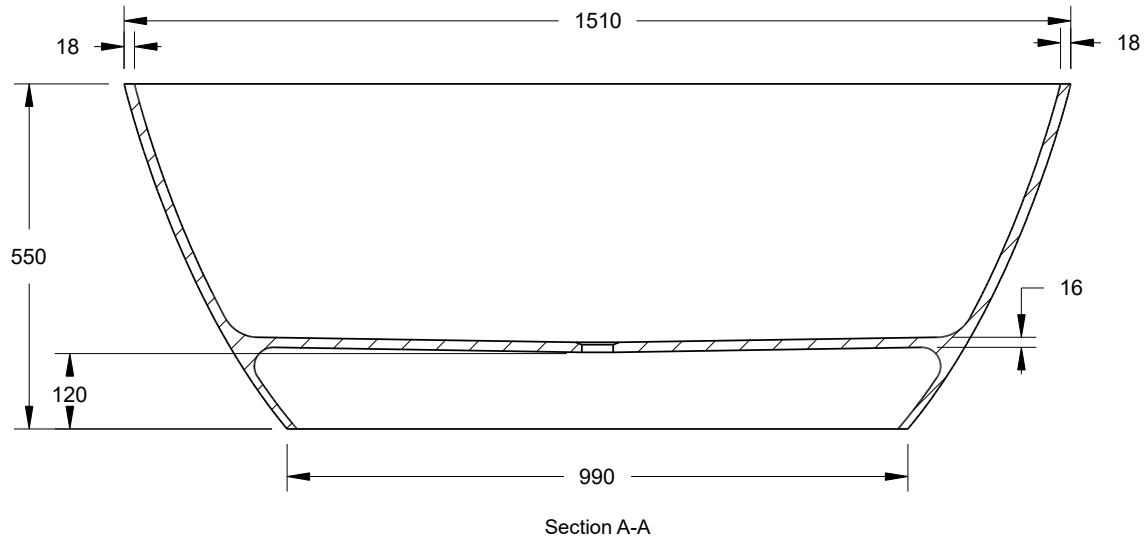
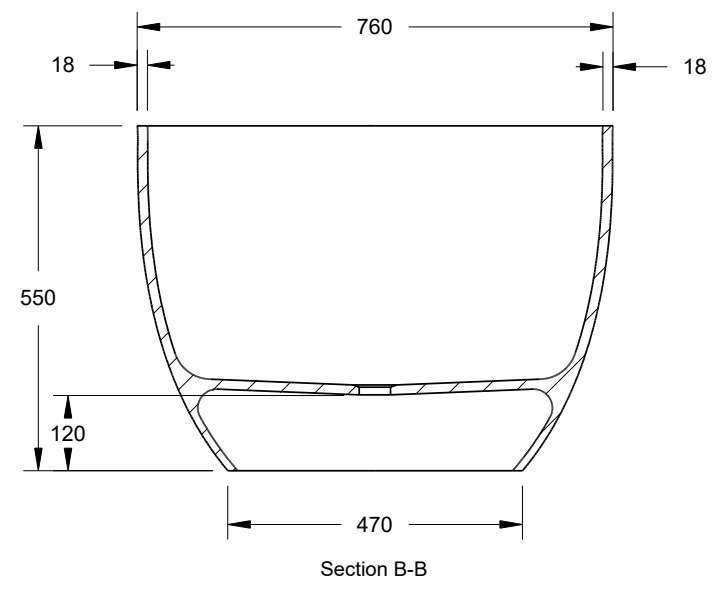
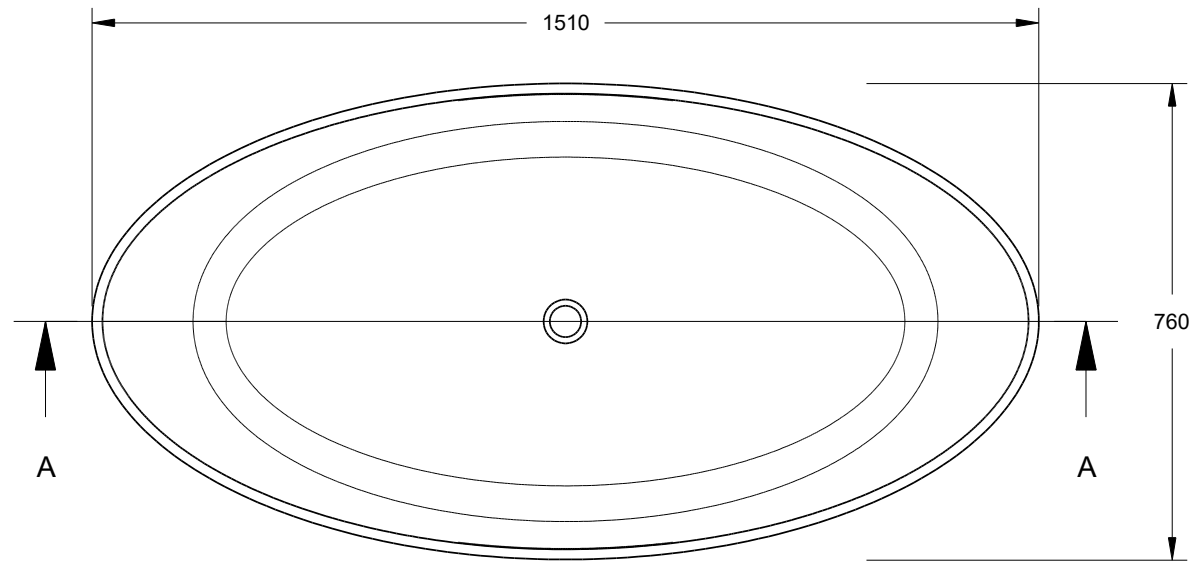


USED ON	NEXT HIGHER ASSEMBLY
-	-



1		09/11/2017	Updated rim thickness to average 18 mm		SCALE: 1:12 ON A3		DO NOT SCALE, USE DIMENSIONS. ALL DIMENSIONS ARE IN mm	MATL:	WEIGHT = 75 Kg
							RESTRICTED	TITLE:	ESSATA BATH
							FINAL APPR	SUB TITLE:	ESA001
							APPROVED	CAD No:	DRAWING No: 4
							APPROVED		1/1
							CHECKED		Rev: -
							DRAWN	19/09/2017	
REV	DRAWN	DATE	PARTICULARS	ECP No.	BOUTIQUE BATHS(PTY)LTD				