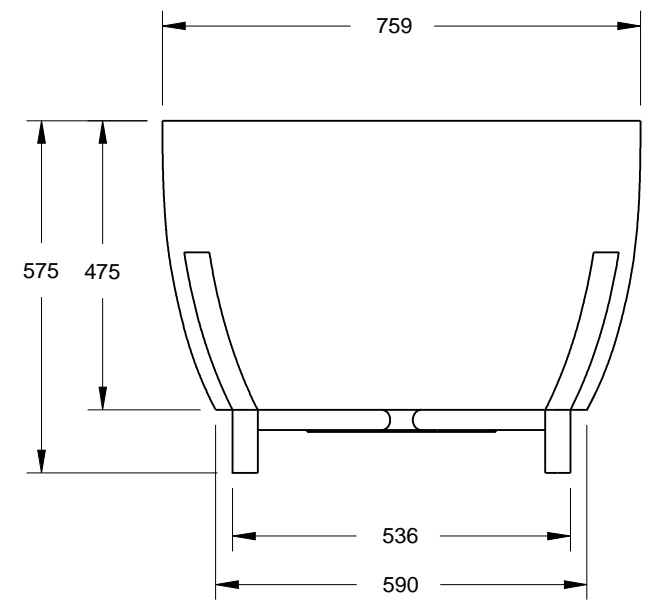
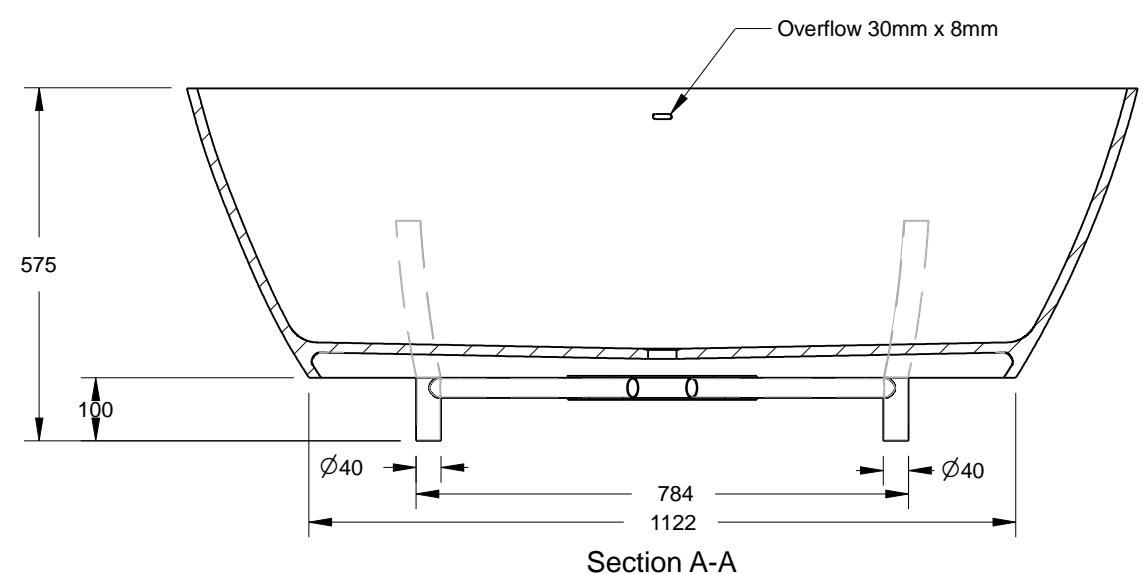
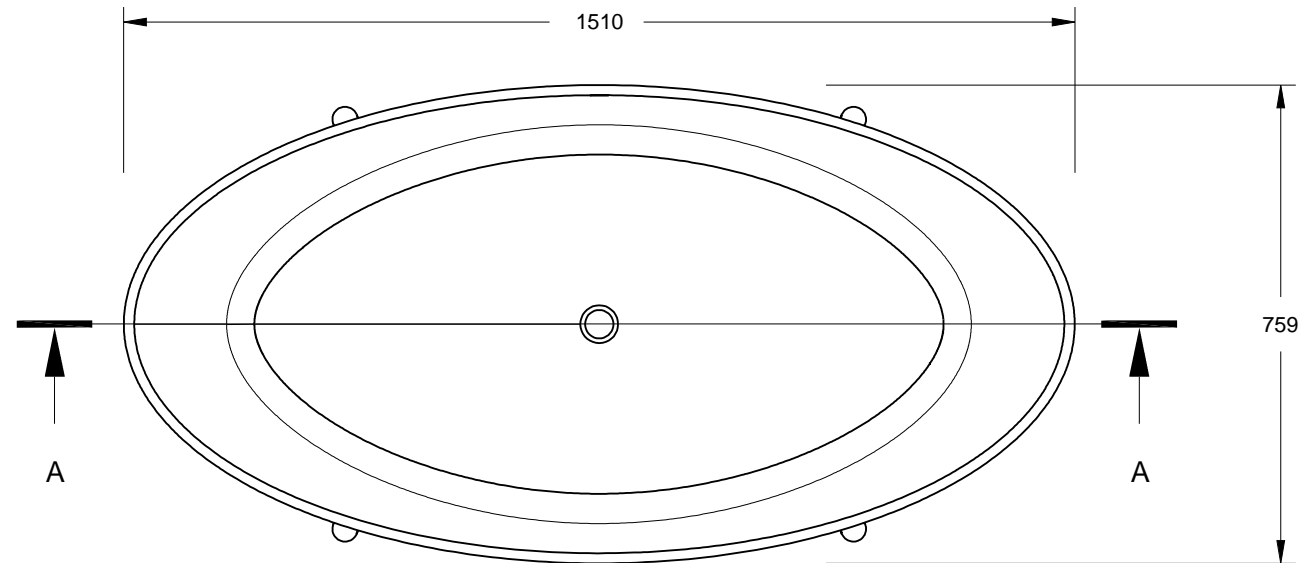


USED ON	NEXT HIGHER ASSEMBLY
-	-



1	FVK	30/04/2019	Updated dimensions & Included Overflow	
REV	DRAWN	DATE	PARTICULARS	ECP No.

SCALE:
1:12 ON A3



DO NOT SCALE, USE DIMENSIONS.
ALL DIMENSIONS ARE IN mm

RESTRICTED

FINAL APPR		
APPROVED		
APPROVED		
CHECKED		
DRAWN		23/12/2018

MATL:	WEIGHT = 82kg
TITLE:	Essex Bath
SUB TITLE:	ESS001
CAD No:	DRAWING No:
	1/1
Rev:	-