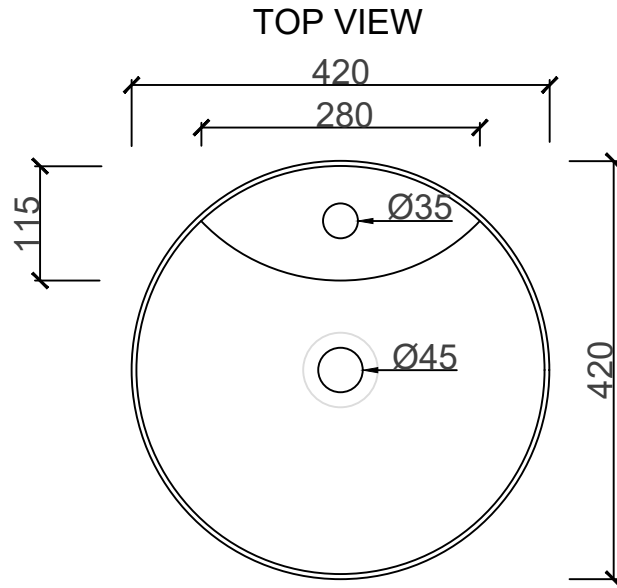
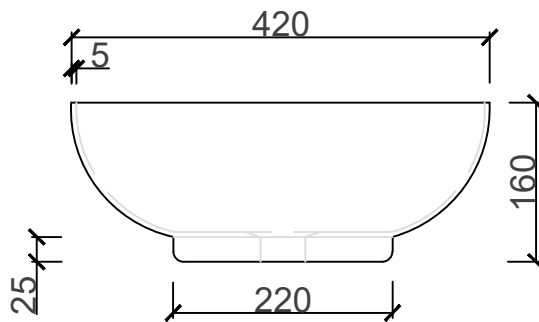


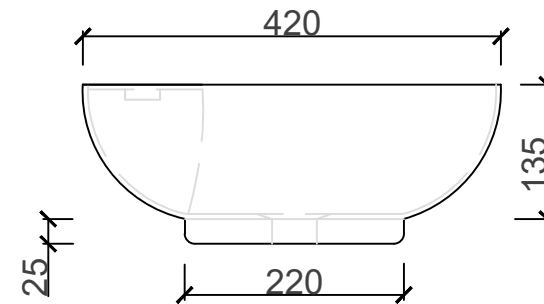
# ELBA FREESTANDING BASIN SOL 21113



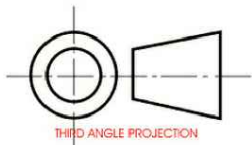
DIMENSIONS	
LENGTH	420MM
BREADTH	420MM
HEIGHT	160MM
DEPTH	135MM



FRONT VIEW



SIDE VIEW



PLEASE NOTE: A 5 - 8MM PER 100MM IS ALLOWED FOR WARPAGE