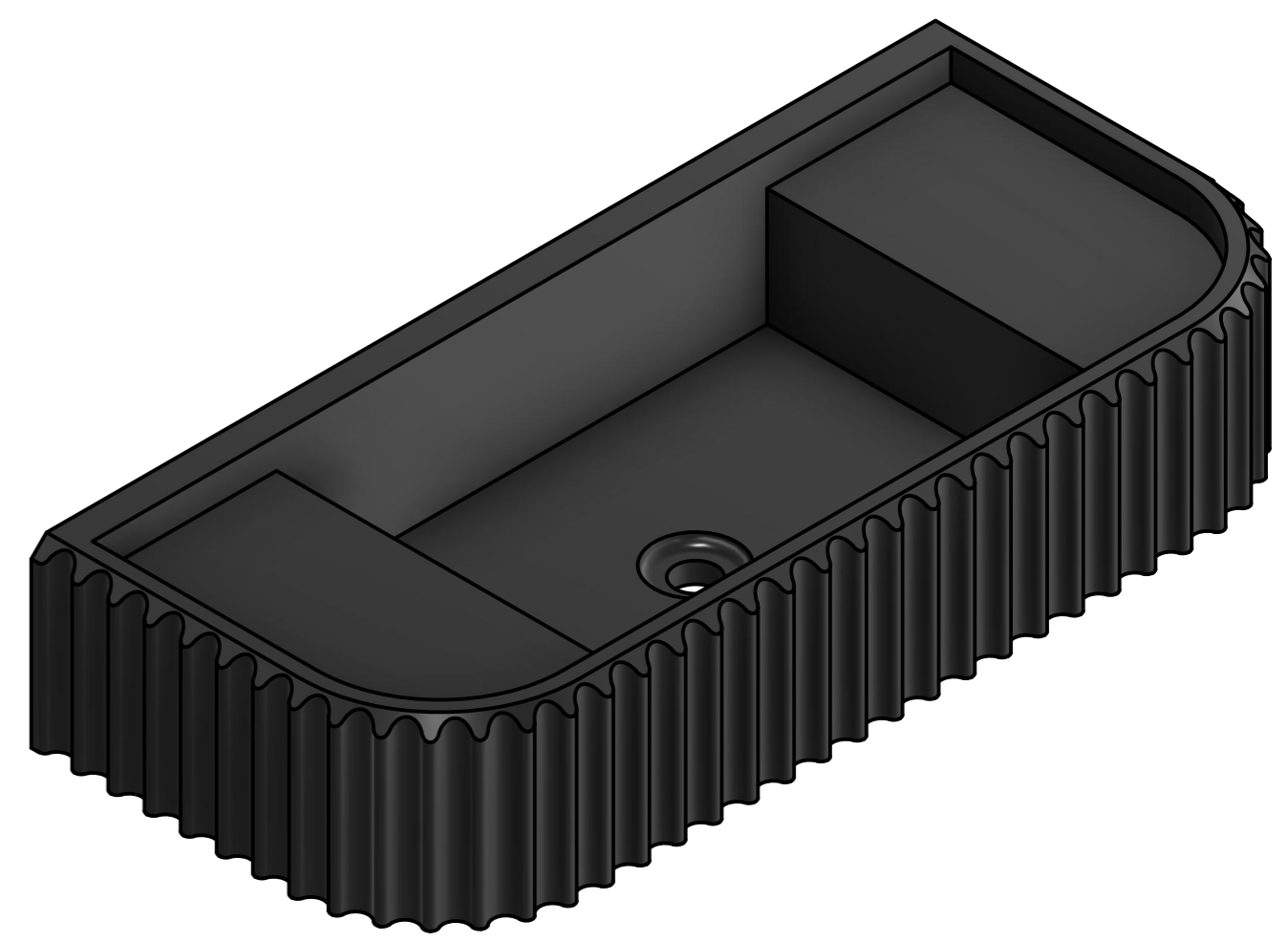
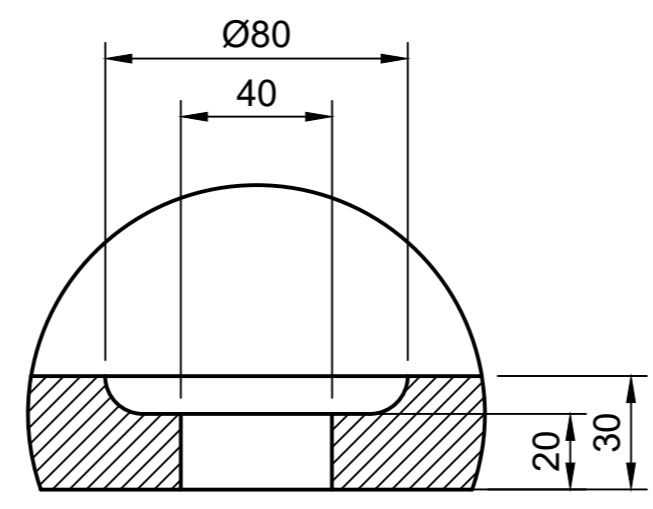
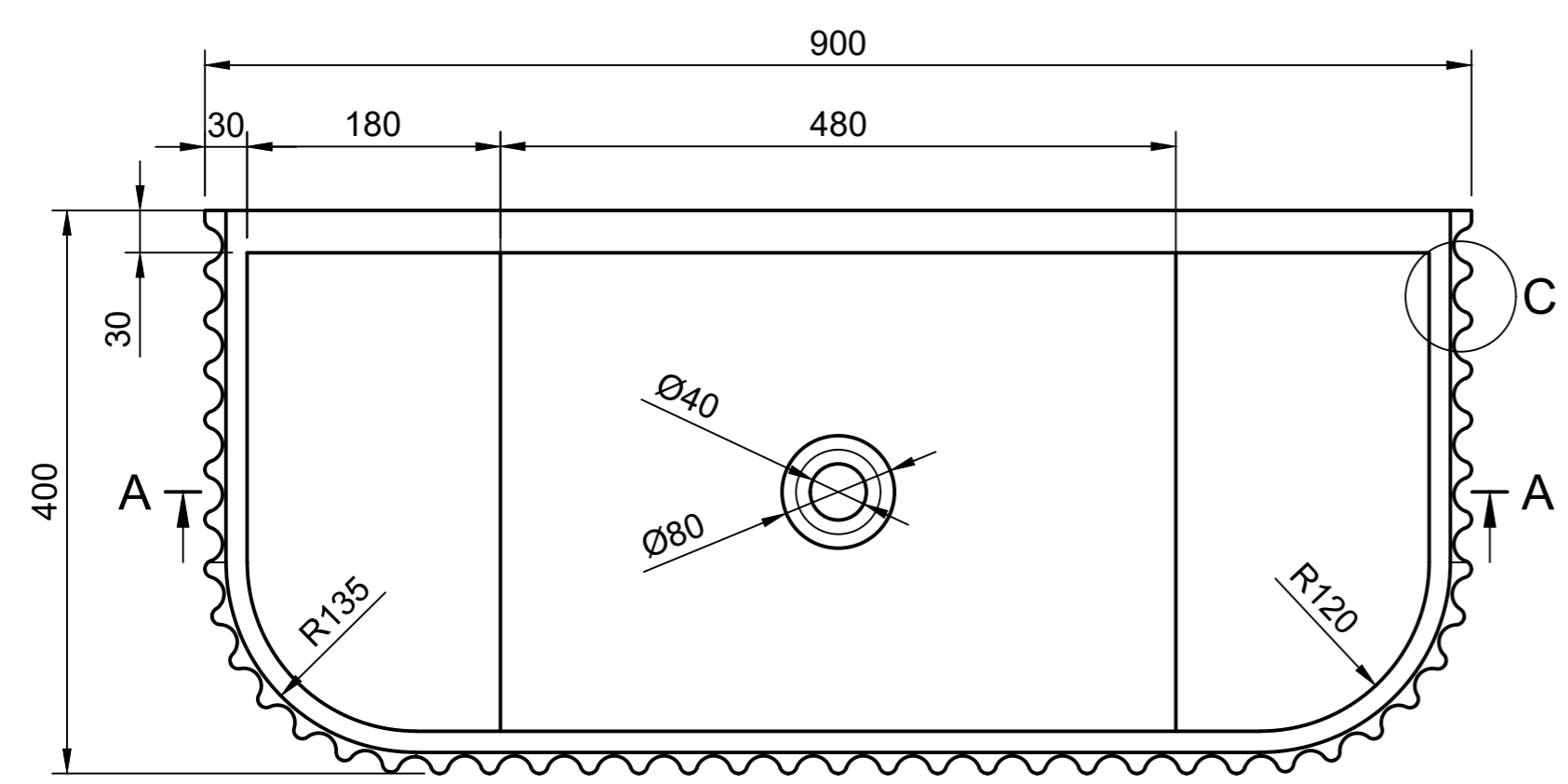
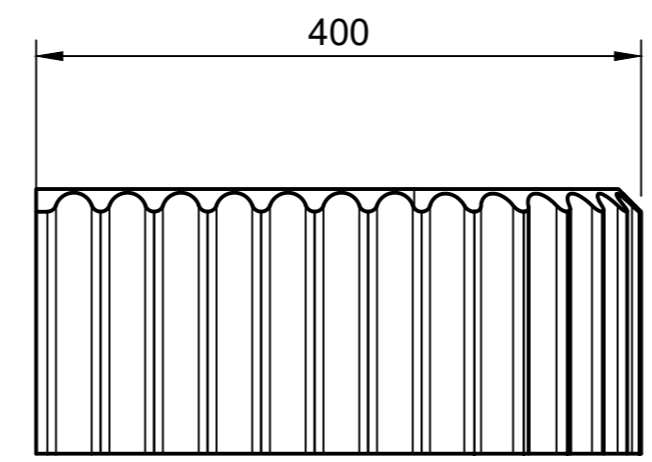
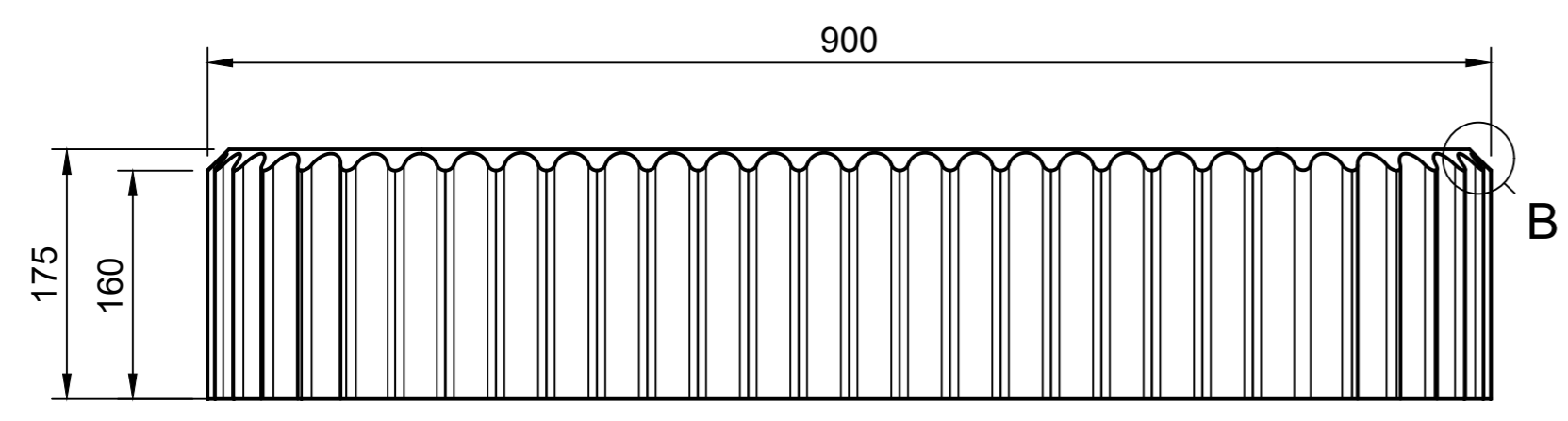
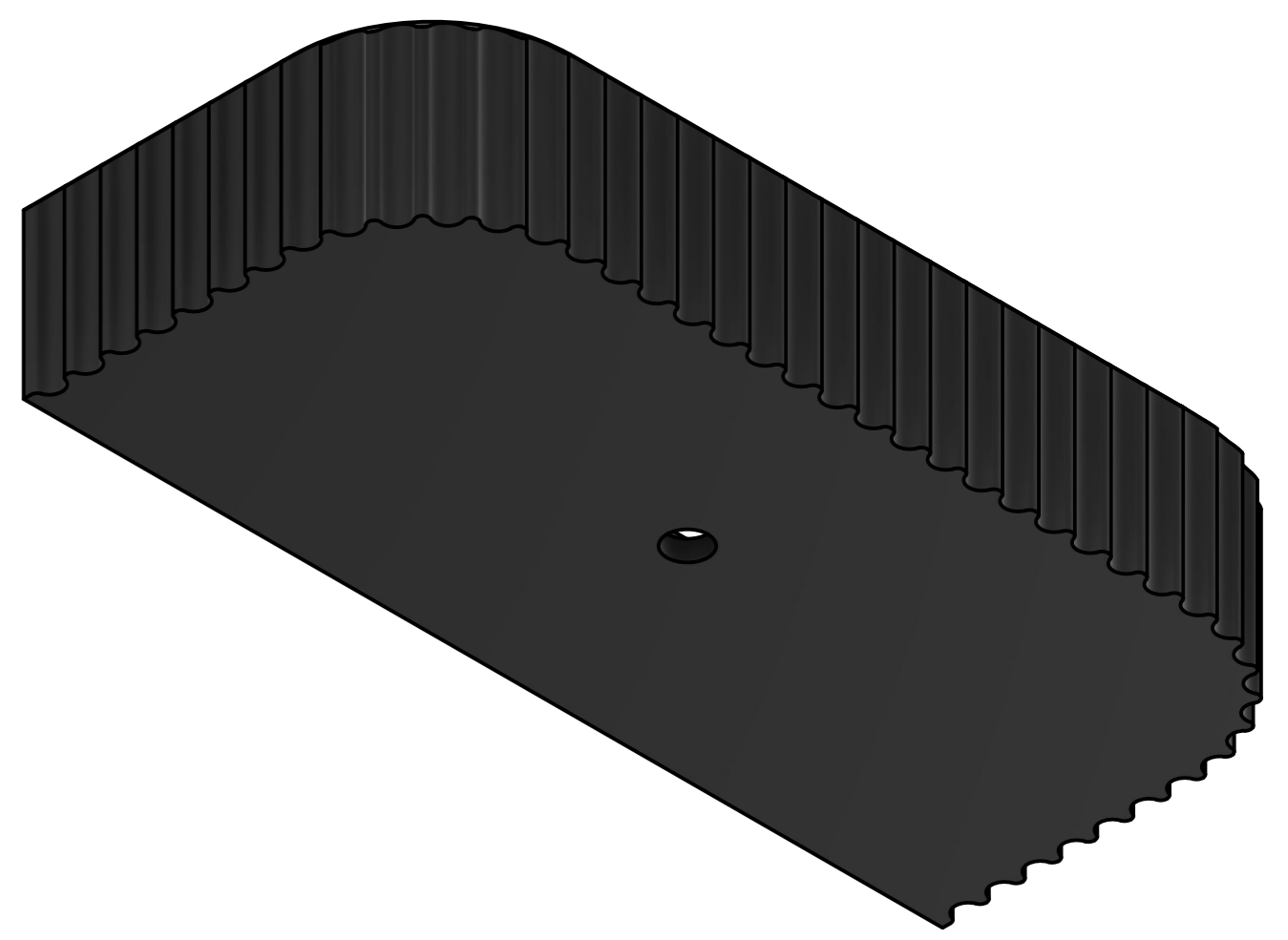
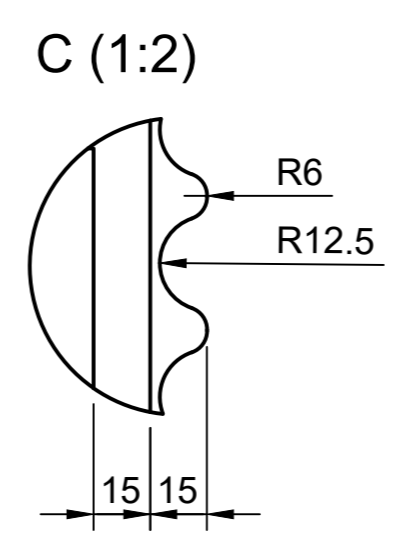
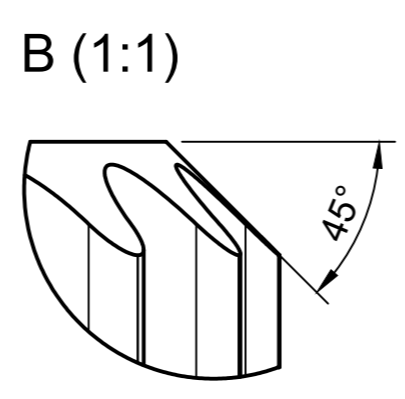
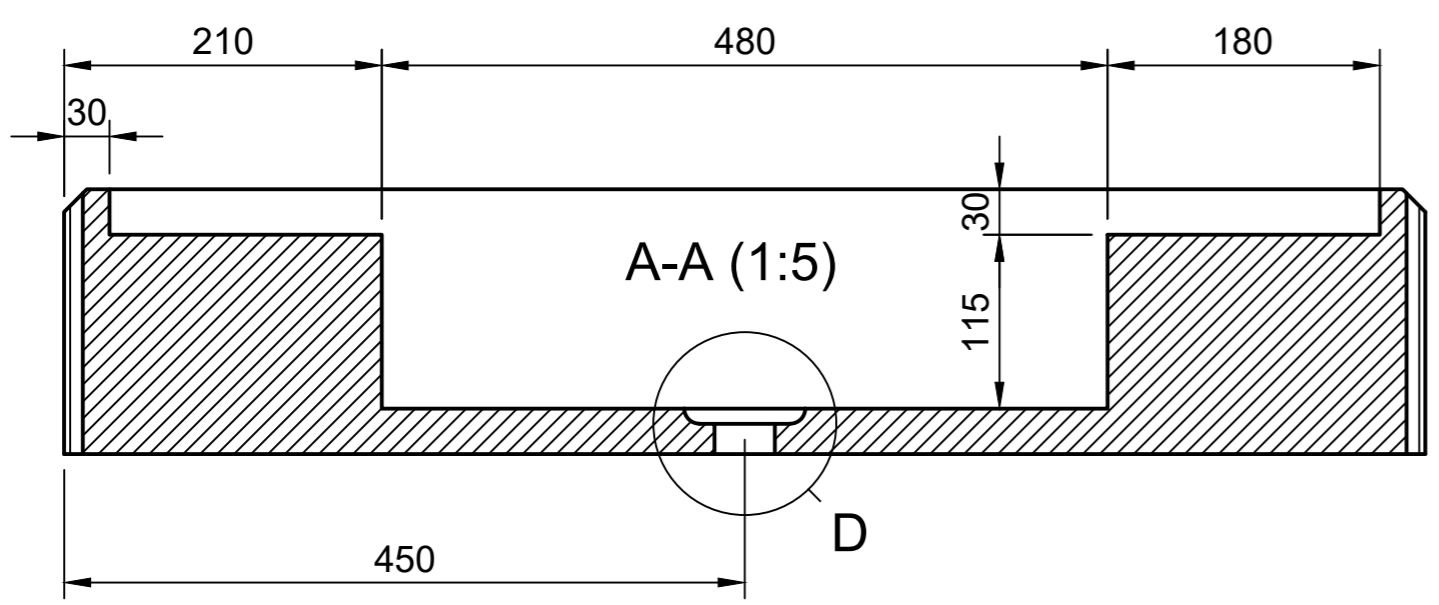



1 2 3 4 5 6 7 8 9 10 11 12

A
B
C
D
E
F
G
H



Dept. DC-D	Technical reference ROSSCO	Created by DIGITAL CHILD 2022/04/27	Approved by NGWAKO 2022/04/27
		Document type OVERALL DIMENSIONS	Document status TECH DRAWING
		Title FLUTED BASIN 175 X 400 X 900 SCALE 1:5	
Rev. 01		Date of issue 2022/04/27	Sheet 1/1

1 2 3 4 5 6 7 8 9 10 11 12